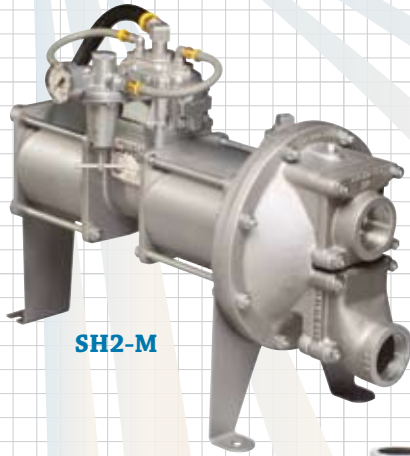
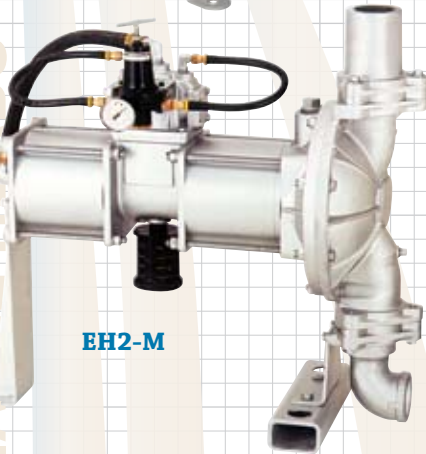


# HIGH PRESSURE DUTY

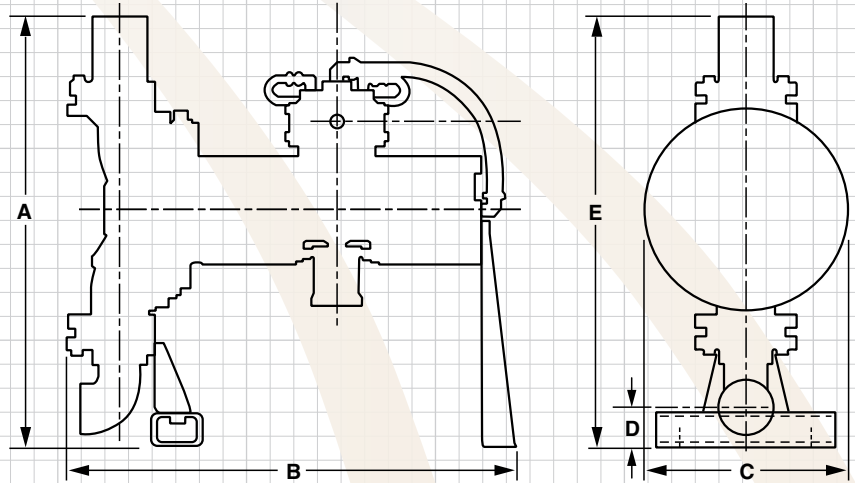


SH2-M



EH2-M

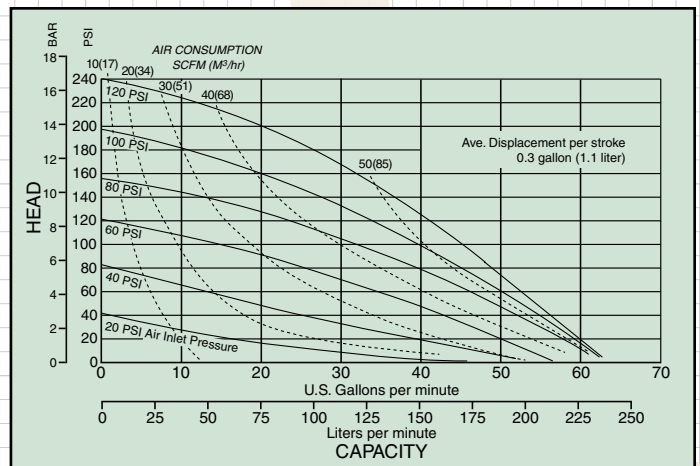
**Air-powered single diaphragm high pressure metallic pumps** deliver discharge pressure twice the inlet pressure, up to 250 PSI (17 BAR). Designed for filter press feed and applications requiring higher discharge pressures. Available in Aluminum, Cast Iron and Stainless Steel with various elastomer options.



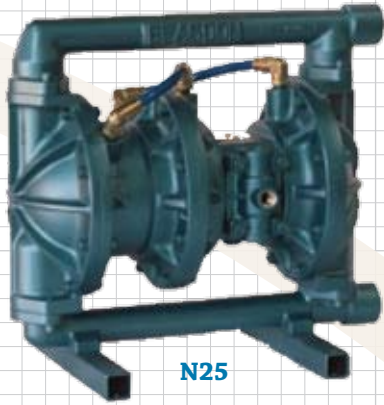
PUMP MODELS	A	B	C	D	E	Connection Style	Pipe Size	Displacement Per Stroke	Max Flow Per Minute	Max Solids Handling	Max Discharge Pressure
	Height	Width	Depth	Bottom of Base to Center Line of:							
	inches (mm)	inches (mm)	inches (mm)	Suction	Discharge						
EH2-M	25 (635)	25 13/16 (656)	11 3/4 (298)	2 3/16 (56)	25 (635)	2" NPT	2 (50)	.30 (1.1)	62 (235)	.25 (6)	250 (17.2)
SH2-M	18 9/16 (471)	26 7/8 (683)	11 3/8 (289)	11 15/32 (291)	5 11/32 (136)	2" NPT	2 (50)	.30 (1.1)	62 (235)	2 (50)	250 (17.2)

All Dimensions +/- 1/8 (3)

**EH2-M & SH2-M Performance Curve**



# HIGH PRESSURE DUTY - BLAGDON

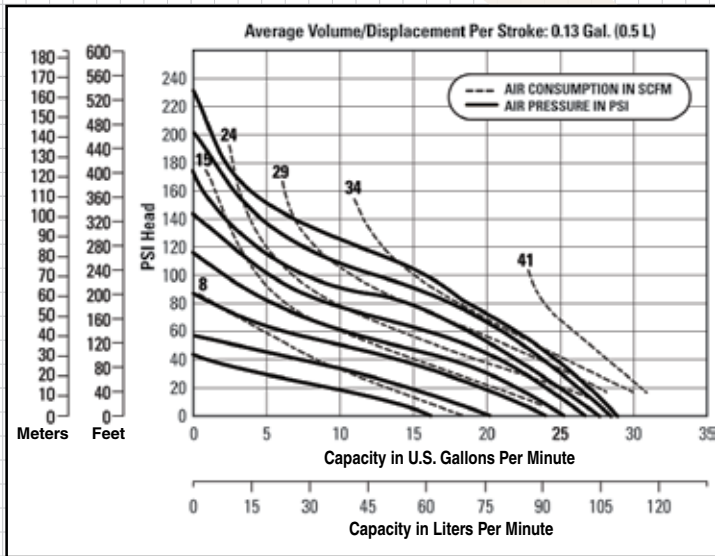


N25

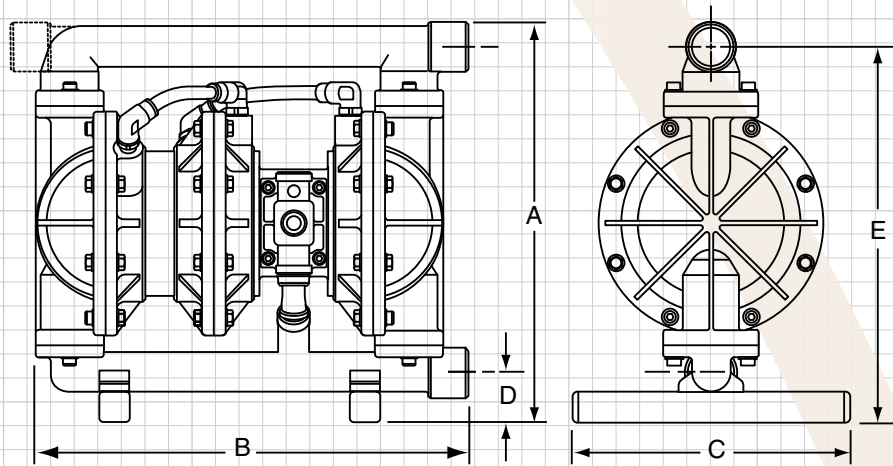
**Blagdon 1" High-Pressure Pumps** provide enhanced power in applications where pressure is paramount and flow rate is an issue. Using two air chambers to double the air per stroke, the N25 achieves discharge pressure up to 238 pounds per square inch with flow rates as high as 30 gallons per minute.

The N25's full flow design incorporates an additional air chamber to deliver higher flow rates with less pulsation, so there's less wear on pipes and fittings. In addition, the pump can start at zero head pressure with no damage to diaphragms and no need for a separate fill pump.

The N25 is available in either aluminum or stainless steel. It features a non-stalling, non-icing air valve system with shoe-valve technology to eliminate blow-by.



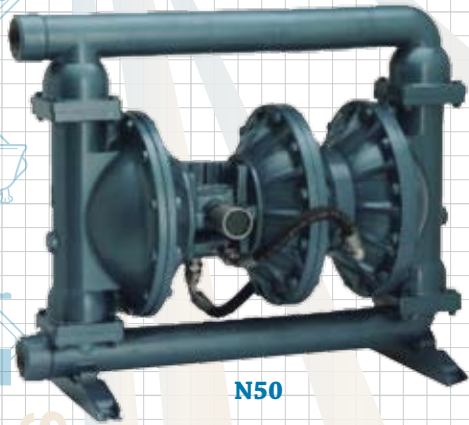
N25 Performance Curve



PUMP MODELS	A	B	C	D	E	Connection Style	Pipe Size	Displacement Per Stroke	Max Flow Per Minute	Max Solids Handling	Max Discharge Pressure
	Height	Width	Depth	Bottom of Base to Center Line of Suction	Center Line of Discharge		inch (mm)	gal (liter)	gal (liter)	inch (mm)	psi (bar)
	inches (mm)	inches (mm)	inches (mm)	inches (mm)	inches (mm)		inch (mm)	gal (liter)	gal (liter)	inch (mm)	psi (bar)
N25	15.94 (405)	18.27 (464)	11.02 (280)	1.97 (50)	14.95 (380)	1" NPT	1 (25)	.13 (.5)	30 (114)	.125 (3)	238 (16)

All Dimensions +/- 1/8 (3)

# HIGH PRESSURE DUTY - BLAGDON

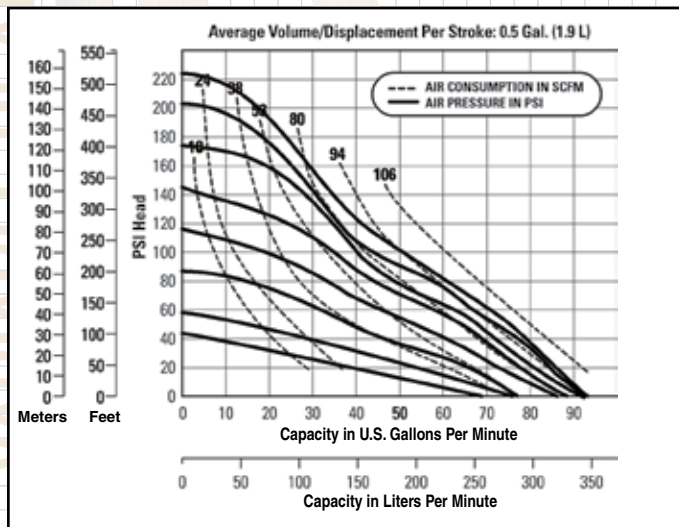


N50

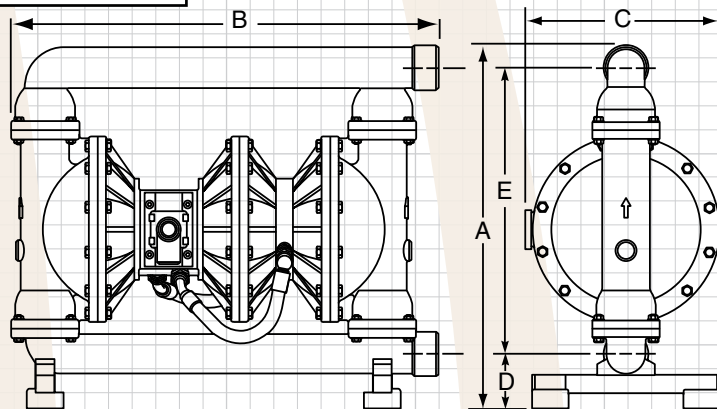
**Blagdon 2" High-Pressure Pumps** provide enhanced power in applications where pressure is paramount and flow rate is an issue. Using two air chambers to double the air per stroke, the N50 achieves discharge pressure up to 238 pounds per square inch with flow rates as high as 90 gallons per minute.

The N50's full flow design incorporates an additional air chamber to deliver higher flow rates with less pulsation, so there's less wear on pipes and fittings. In addition, the pump can start at zero head pressure with no damage to diaphragms and no need for a separate fill pump.

The N50 is available in either aluminum or stainless steel. It features a non-stalling, non-icing air valve system with shoe-valve technology to eliminate blow-by.



N50 Performance Curve



PUMP MODELS	A	B	C	D	E	Connection Style	Pipe Size	Displacement Per Stroke	Max Flow Per Minute	Max Solids Handling	Max Discharge Pressure
	Height	Width	Depth	Bottom of Base to Center Line of:							
	inches (mm)	inches (mm)	inches (mm)	Suction	Discharge						
N50	24.41 (620)	28.70 (729)	13.07 (332)	3.66 (93)	22.95 (583)	1" NPT	2 (50)	.5 (1.9)	90 (341)	.125 (3)	238 (16)

All Dimensions +/- 1/8 (3)